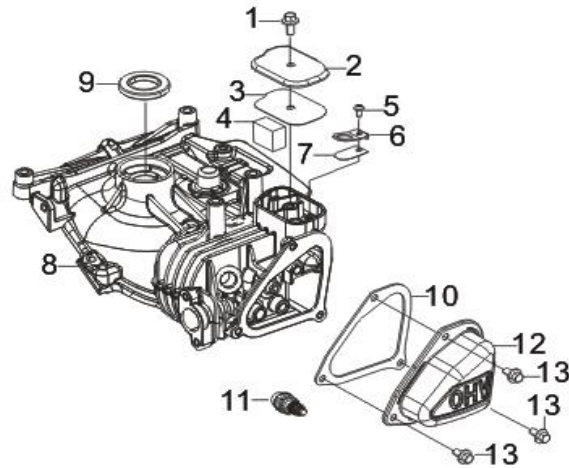


FIG.1 CRANKCASE SUBASSEMBLY. (E01)

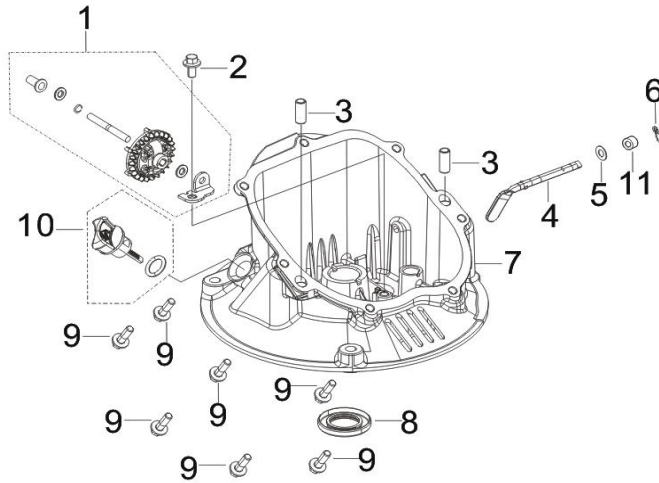
图1：曲轴箱体组合 (E01)



REF.NO. 序号	PART NO 物料代码	DESCRIPTION 英文名	Q'TY 数量	包装数
E01-1	90007-0612-A1	BOLT	1	1
E01-2	11333-Z240110-0000	PLATE, BREATH GROOVE COVER	1	1
E01-3	11332-Z240110-0000	GASKET, BREATH GROOVE	1	1
E01-4	11331-Z240120-0000	STRAINER, BREATH GROOVE	1	1
E01-5	90106-0410-51	BOLT	1	1
E01-6	12041-Z240110-0000	REED	1	1
E01-7	12045-Z240110-0000	REED VALVE STOPPING PLATE	1	1
E01-8	11310-Z240140-0000	CRANKCASE SUBASSEMBLY.	1	1
E01-9	90682-Z240110-0000	SEAL, OIL	1	1
E01-10	12004-Z240110-0000	GASKET, CYLINDER HEAD COVER	1	1
E01-11	30010-Z240120-0000	PLUG, SPARK	1	1
E01-12	12411-Z240120-0000	COVER, CYLINDER HEAD	1	1
E01-13	90007-0612-A1	BOLT	3	1

FIG.2 COVER SUBASSEMBLY, CRANKCASE (E02)

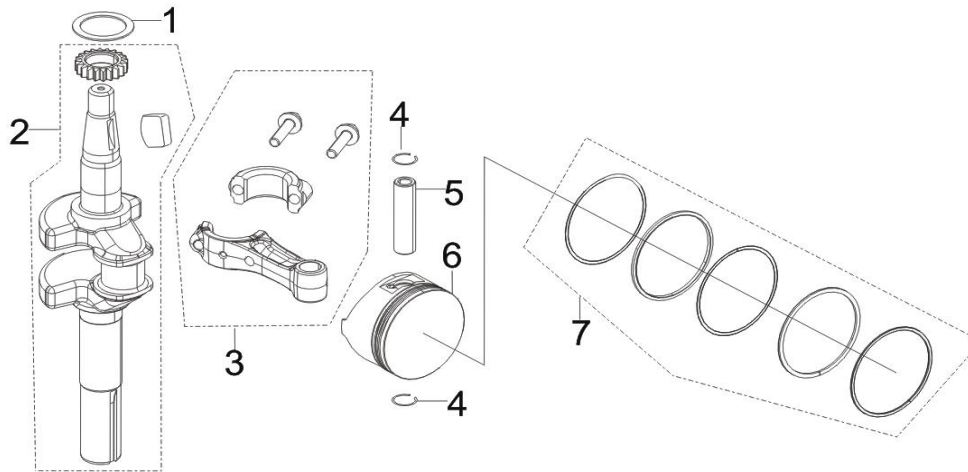
图2：曲轴箱盖总成 (E02)



REF.NO. 序号	PART NO 物料代码	DESCRIPTION 英文名	Q'TY 数量	包装数
E02-1	16400-Z240130-0000	GEAR ASSY, GOVERNOR	1	1
E02-2	90007-0612-A1	BOLT	1	1
E02-3	90502-0818-00	PIN	2	1
E02-4	16061-Z240110-0000	ARM, GOVERNOR	1	1
E02-5	90408-Z010210-0000	WASHER , FLAT	1	1
E02-6	90501-Z010110-0000	PIN	1	1
E02-7	11411-Z240130-0000	COVER, CRANKCASE	1	1
E02-8	90682-Z240310-0000	SEAL, OIL	1	1
E02-9	90007-0618-A1	BOLT	7	1
E02-10	15010-Z240230-Q500	DIPSTICK SUBASSEMBLY, OIL	1	1
E02-11	90682-Z030210-0000	SEAL, OIL	1	1

FIG.3 PISTON.ROD, CONNECTING.CRANKSHAFT(E03)

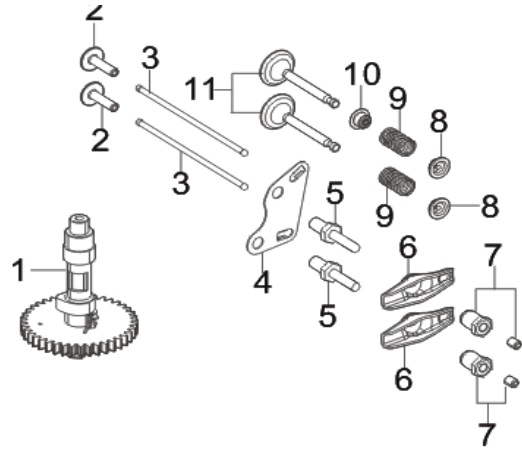
图3：活塞、连杆、曲轴 (E03)



REF.NO. 序号	PART NO 物料代码	DESCRIPTION 英文名	Q'TY 数量	包装数
E03-1	90408-Z240210-00A0	WASHER , FLAT	1	1
E03-2	13300-Z240120-LS00	CRANKSHAFT ASSY.	1	1
E03-3	13010-Z240110-0000	ROD, CONNECTING	1	1
E03-4	13122-Z240110-0000	CLIP, PISTON PIN	2	1
E03-5	13121-Z240110-0000	PIN, PISTON	1	1
E03-6	13111-Z240120-0000	PISTON	1	1
E03-7	13200-Z240110-0000	PISTON RINGS SET	1	1

FIG.4 COVER, CYLINDER HEAD(E04)

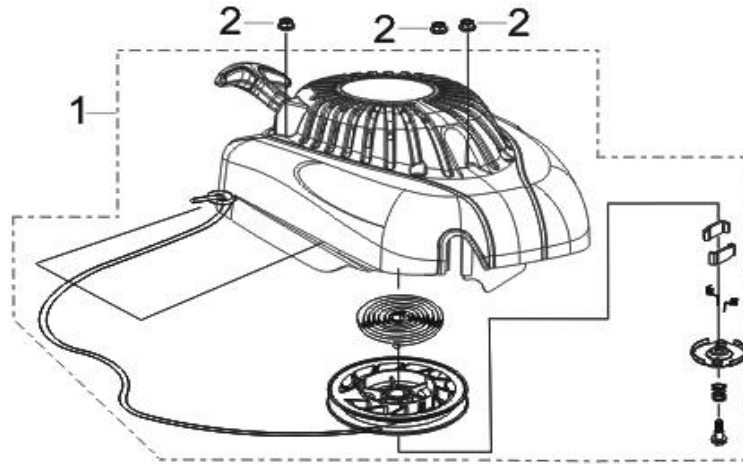
图4：气缸头盖 (E04)



REF.NO. 序号	PART NO 物料代码	DESCRIPTION 英文名	Q'TY 数量	包装数
E04-1	14200-Z240120-0000	CAMSHAFT ASSY.	1	1
E04-2	14081-Z240110-0000	TAPPET, VALVE	2	1
E04-3	14071-Z240110-0000	LIFTER, VALVE	2	1
E04-4	14091-Z240110-0000	PLATE, LITER LIMITED	1	1
E04-5	14313-Z240110-0000	BOLT, ROCKER SHAFT	2	1
E04-6	14311-Z240110-0000	ROCKER, VALVE	2	1
E04-7	97002-Z240110-0000	ADJUSTMENT, VALVE	2	1
E04-8	12112-Z010110-0000	SEAT, VALVE SPRING	2	1
E04-9	12103-Z240110-0000	SPRING, VALVE	2	1
E04-10	12101-Z030110-0000	GUIDE, SEAL	1	1
E04-11	12110-Z240110-0000	VALVES SET	1	1

FIG.5 STARTER, RECOIL (E05)

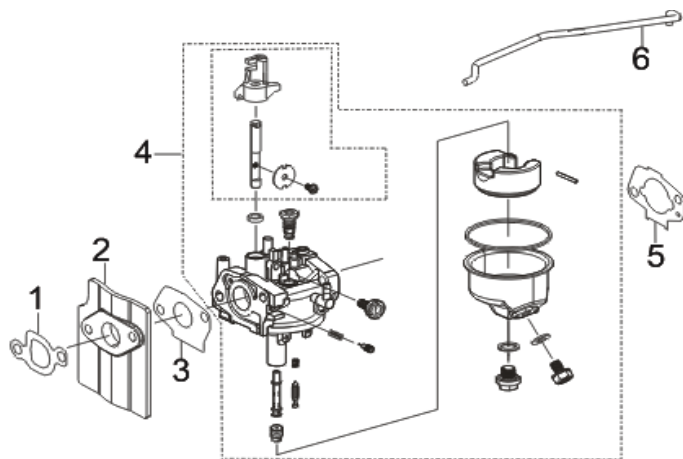
图5：起动机（E05）



REF.NO. 序号	PART NO 物料代码	DESCRIPTION 英文名	Q'TY 数量	包装数
E05-1	28200-Z240230-Q236	STARTER ASSY, RECOIL	1	1
E05-2	90305-0600-31	NUT	3	1

FIG.10 CARBURETOR ASSY.(E06)

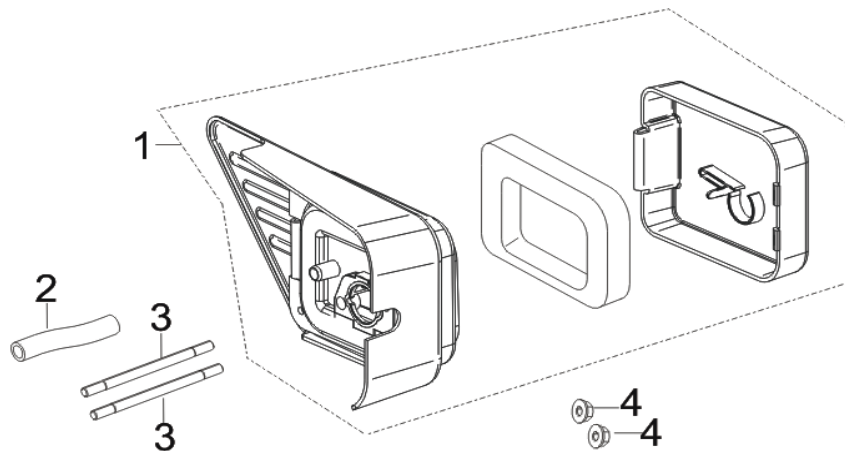
图6：化油器（E06）



REF.NO. 序号	PART NO 物料代码	DESCRIPTION 英文名	Q'TY 数量	包装数
E06-1	16004-Z240210-0000	GASKET, INSULATOR PLATE	1	1
E06-2	16003-Z240120-0000	PLATE, CARBURETOR INSULATOR	1	1
E06-3	16004-Z240110-0000	GASKET, INSULATOR PLATE	1	1
E06-4	16100-Z240220-0000	CARBURETOR ASSY.	1	1
E06-5	16001-Z240120-0000	GASKET, CARBURETOR	1	1
E06-6	16123-Z240120-0000	ROD, CHOKE	1	1

FIG.7 CLEANER COMP, AIR (E07)

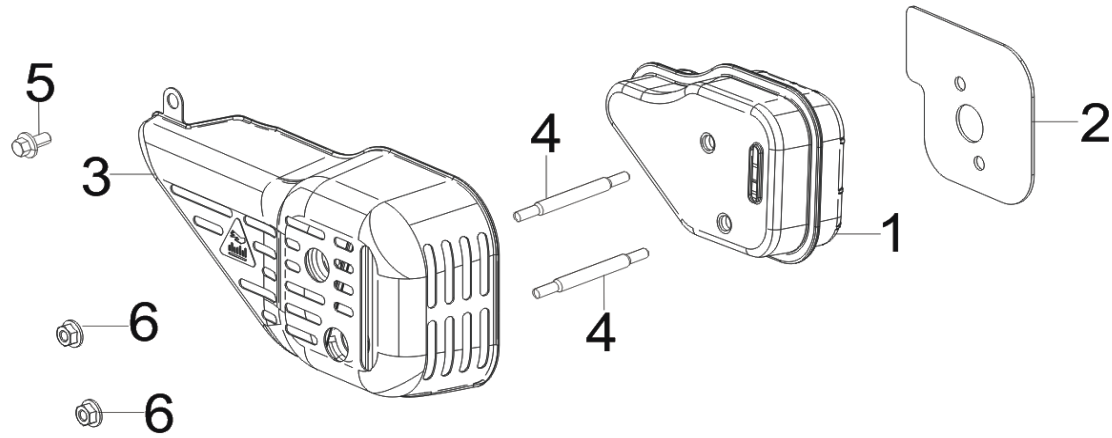
图7：空滤器 (E07)



REF.NO. 序号	PART NO 物料代码	DESCRIPTION 英文名	Q'TY 数量	包装数
E07-1	17100-Z240220-0036	CLEANER, AIR	1	1
E07-2	17004-Z240120-0000	TUBE, BREATHER	1	1
E07-3	90204-Z250110-0000	BOLT	2	1
E07-4	90305-0600-31	NUT	2	1

FIG.8 MUFFLER (E08)

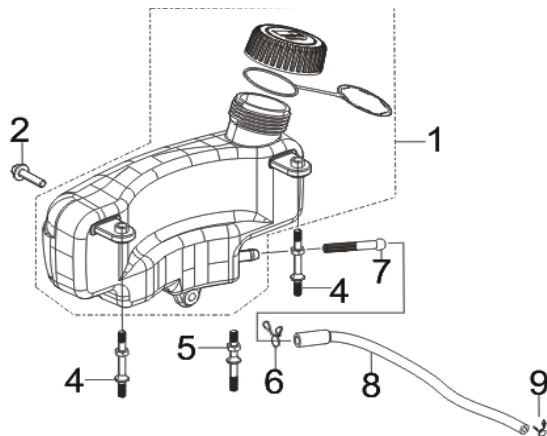
图8：消声器 (E08)



REF.NO. 序号	PART NO 物料代码	DESCRIPTION 英文名	Q'TY 数量	包装数
E08-1	18100-Z240220-00A0	MUFFLER ASSY.	1	1
E08-2	18001-Z240110-0000	GASKET, EXHAUST OUTLET	1	1
E08-3	18130-Z240110-QBA0	COVER, MUFFLER OUTER	1	1
E08-4	90207-Z240110-00A0	BOLT	2	1
E08-5	90007-0612-A1	BOLT	1	1
E08-6	90310-0600-31	NUT	2	1

FIG.9 TANK, FUEL (E09)

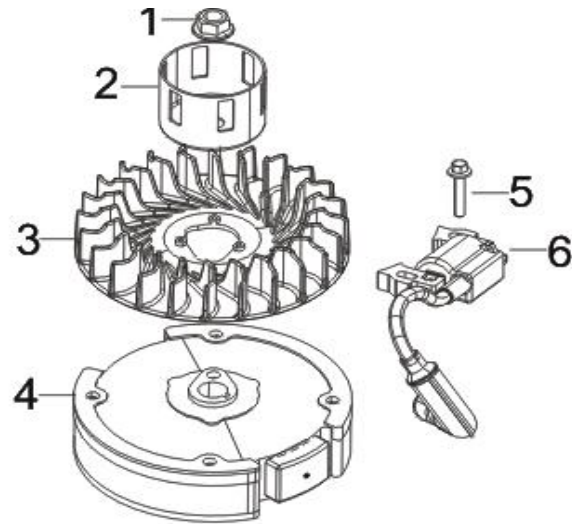
图9：油箱 (E09)



REF.NO. 序号	PART NO 物料代码	DESCRIPTION 英文名	Q'TY 数量	包装数
E09-1	16600-Z240220-0038	TANK, FUEL	1	1
E09-2	90007-0625-A1	BOLT	1	1
E09-4	28001-Z240110-00A0	STUD	2	1
E09-5	28001-Z240210-0000	STUD	1	1
E09-6	90685-1000-01	CLAMP	1	1
E09-7	16652-Z030110-0000	STRAINER , FUEL	1	1
E09-8	90686-Z240210-0000	TUBE, FUEL	1	1
E09-9	90685-0700-01	CLAMP	1	1

FIG.10 FLYWHEEL ASSY. (E10)

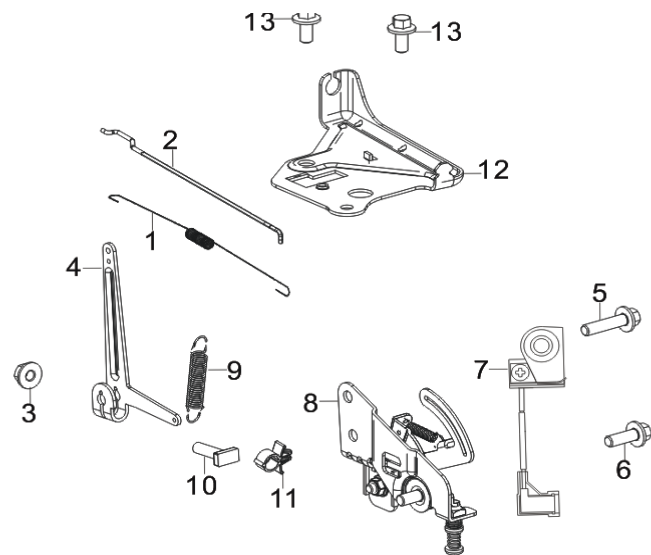
图10 : 飞轮组合 (E10)



REF.NO. 序号	PART NO 物料代码	DESCRIPTION 英文名	Q'TY 数量	包装数
E10-1	13501-Z010110-0000	NUT, FLYWHEEL	1	1
E10-2	28002-Z240120-0000	PULLEY,STARTER	1	1
E10-3	19352-Z510110-0001	IMPELLER	1	1
E10-4	13510-Z240210-0000	FLYWHEEL SUBASSEMBLY	1	1
E10-5	90007-0630-A1	BOLT	1	1
E10-6	30400-Z240110-0036	COIL, IGNITION	1	1

FIG.11 CONTROL ASSY, THROTTLE. (E11)

图11 : 调速器 (E11)



REF.NO. 序号	PART NO 物料代码	DESCRIPTION 英文名	Q'TY 数量	包装数
E11-1	16012-Z240110-0000	SPRING, THROTTLE VALVE RETURNING	1	1
E11-2	16062-Z240120-0000	ROD, GOVERNEOR	1	1
E11-3	90305-0600-31	NUT	1	1
E11-4	16070-Z240110-0000	SUPPORT SUBASSEMBLY, GOVERNOR	1	1
E11-5	90007-0625-A1	BOLT	1	1
E11-6	90007-0620-A1	BOLT	1	1
E11-7	35540-Z240110-0000	SWITCH SUBASSEMBLY, STOP ENGINE	1	1
E11-8	16520-Z240210-0000	CONTROL ASSY, THROTTLE	1	1
E11-9	16063-Z240330-0000	SPRING, GOVERNOR	1	1
E11-10	16072-Z010110-0000	BOLT, GOVERNOR SUPPORT	1	1